



Operating Instructions
scanCONTROL 30xx

Laser scanner

MICRO-EPSILON
MESSTECHNIK
GmbH & Co. KG
Koenigbacher Str. 15

94496 Ortenburg / Germany

Tel. +49 (0) 8542 / 168-0
Fax +49 (0) 8542 / 168-90
e-mail: info@micro-epsilon.com
www.micro-epsilon.com

Contents

| | | |
|-----------|---|-----------|
| 1. | Safety | 7 |
| 1.1 | Symbols Used | 7 |
| 1.2 | Warnings | 7 |
| 1.3 | Notes on CE Marking..... | 8 |
| 1.4 | Intended Use..... | 9 |
| 1.5 | Proper Environment..... | 9 |
| 2. | Laser Safety..... | 10 |
| 2.1 | General..... | 10 |
| 2.2 | Laser Class 2M..... | 11 |
| 2.3 | Laser Class 3R | 12 |
| 3. | Functional Principle, Technical Data | 13 |
| 3.1 | Short Description | 13 |
| 3.1.1 | Measuring Principle | 13 |
| 3.1.2 | System Setup..... | 13 |
| 3.1.3 | Special Performance Features..... | 14 |
| 3.1.4 | Advantages of the Used Sensor Matrix (Difference to Conventional Line Scanners) | 14 |
| 3.1.5 | Further Features..... | 14 |
| 3.2 | Technical Data..... | 15 |
| 3.4 | LED Displays..... | 17 |
| 4. | Delivery..... | 18 |
| 4.1 | Unpacking, Included in Delivery..... | 18 |
| 4.2 | Storage..... | 18 |
| 5. | Installation and Mounting | 19 |
| 5.1 | Attachment and Mounting | 19 |
| 5.2 | Connections..... | 24 |
| 5.2.1 | General..... | 24 |
| 5.2.2 | Power Supply | 25 |
| 5.2.3 | RS422, Synchronization..... | 26 |
| 5.2.4 | Switching Inputs..... | 28 |
| 5.2.5 | Ethernet Connection..... | 30 |

| | | |
|-----------|--|-----------|
| 5.2.6 | External Laser Switching (optional) | 32 |
| 5.3 | Installation Instructions | 33 |
| 5.4 | Getting Ready for Operation, Initial Operation | 33 |
| 6. | Operation of the Sensor with a PC | 34 |
| 6.1 | Displays | 34 |
| 6.2 | Operating and Demonstration Programs | 34 |
| 6.3 | Installation | 35 |
| 6.3.1 | Requirements | 35 |
| 6.3.2 | Connecting scanCONTROL 30xx to the PC | 35 |
| 6.4 | Instructions for Operation | 36 |
| 6.4.1 | Measuring Field Selection | 36 |
| 6.4.2 | Calibration | 38 |
| 6.4.3 | Operating Modes | 39 |
| 6.4.4 | Automatic Exposure Time Regulation | 40 |
| 6.5 | Error Influences | 41 |
| 6.5.1 | Reflection of the Target Surface | 41 |
| 6.5.2 | Color Differences | 41 |
| 6.5.3 | Temperature Influences | 41 |
| 6.5.4 | External Light | 42 |
| 6.5.5 | Mechanical Vibrations | 42 |
| 6.5.6 | Surface Roughness | 42 |
| 6.5.7 | Shadowing Effects | 43 |
| 6.6 | Cleaning | 44 |
| 7. | scanCONTROL Output Unit | 45 |
| 7.1 | scanCONTROL Output Unit - Components | 45 |
| 7.2 | Connect the Power Supply | 46 |
| 7.3 | Commissioning scanCONTROL Output Unit | 47 |
| 7.4 | Specification of the Components | 48 |
| 7.4.1 | Output Unit Basic | 48 |
| 7.4.2 | Supported Modules | 49 |
| 7.4.3 | OU-DigitalOut/8-Channel/DC24 V/0.5 A/High-side Switching/8 Actuators | 50 |
| 7.4.4 | OU-AnalogOut/4-Channel/0-10 V | 51 |
| 8. | scanControl Gateway | 52 |

| | | |
|-----------------|---|-----------|
| 9. | Liability for Material Defects | 53 |
| 10. | Service, Repair | 53 |
| 11. | Decommissioning, Disposal | 53 |
| 12. | Error Codes | 54 |
| Appendix | | |
| A 1 | Accessories | 56 |
| A 1.1 | Recommended Accessories | 56 |
| A 1.2 | Optional Accessories | 57 |

1. Safety

The handling of the sensor assumes knowledge of the operating instructions.

1.1 Symbols Used

The following symbols are used in this operating instructions:



Indicates a hazardous situation which, if not avoided, may result in minor or moderate injury.



Indicates a situation that may result in property damage if not avoided.



Indicates a user action.



Indicates a tip for users.

Measure

Indicates hardware or a software button/menu.

1.2 Warnings

Avoid unnecessary laser radiation to be exposed to the human body.



Switch off the sensor for cleaning and maintenance.



Switch off the sensor for system maintenance and repair if the sensor is integrated into a system.

Caution - use of controls or adjustments or performance of procedures other than those specified may cause harm.



Connect the power supply and the display/output device according to the safety regulations for electrical equipment

> Risk of injury

> Damage to or destruction of the sensor

NOTICE

Avoid shocks and impacts to the sensor.

> Damage to or destruction of the sensor

The supply voltage must not exceed the specified limits.

> Damage to or destruction of the sensor

Avoid constant exposure of the sensor to dust or splashes of water by appropriate methods such as blowing or using a protective housing.

> Damage to or destruction of the sensor

Do not touch the protective windows of the optics. Wipe off any fingerprints immediately with pure alcohol and a clean cotton cloth with no streaks.

Protect the cables against damage.

> Failure of the measuring device

Do not plug or unplug devices during the operation.

1.3 Notes on CE Marking

The following apply to the scanCONTROL 30xx sensor:

- EU Directive 2014/30/EU,
- EU Directive 2011/65/EU

Products which carry the CE mark satisfy the requirements of the EU directives cited and the relevant applicable harmonized European standards (EN). The measuring system is designed for use in industrial environments.

The EU Declaration of Conformity is available to the responsible authorities according to EU Directive, article 10.

1.4 Intended Use

- The scanCONTROL 30xx sensor is designed for use in industrial applications.
- It is used for
 - measuring profile
 - measuring length
 - monitoring quality and checking dimensions
- The sensor must only be operated within the limits specified in the technical data, see Chap. 3.2.
- The sensor must be used in such a way that no persons are endangered or machines and other material goods are damaged in the event of malfunction or total failure of the sensor.
- Take additional precautions for safety and damage prevention in case of safety-related applications.

1.5 Proper Environment

- Protection class
 - Sensor: IP67 (applies only when connected output connectors or protective caps)
- Temperature range
 - Operation: 0 ... +45 °C (+32 ... +113 °F) (with free air circulation)
 - Storage: -20 ... +70 °C (-4 ... +158 °F)
- Ambient pressure: Atmospheric pressure
- Humidity: 5 - 95 % (non condensing)

The protection class does not apply for the optical sections during operation as their soiling / contamination results in adversely affecting or failure of the function.

Only use shielded cables or original cables from the range of accessories for the connection to a power supply and for the outputs.

Note also the assembly and installation instructions, see Chap. 5.

The IP67 protection class is a specification which is limited to the protection with respect to dust and water. Oil, steam and emulsion penetration are not included in this protection class and must be tested separately.

2. Laser Safety

2.1 General

The scanCONTROL 30xx sensors operate with a semiconductor laser having a wavelength of 658 nm (visible/red) resp. 405 nm (visible/blue).

When operating the scanCONTROL 30xx sensors, the relevant regulations according to IEC 60825, Part 1 of 05/2014 and the applicable accident prevention regulations must be followed.

The laser warning labels for Germany have already been attached. For other non German speaking countries, an IEC standard label is included in delivery and the versions valid for the user's country must be attached before the device is put into operation for the first time.

i If both warning labels are covered over when the unit is installed, the user must ensure that supplementary labels are applied.

Laser operation is indicated by LED, see Chap. 3.4.

The housing of the optical sensors must only be opened by the manufacturer, see Chap. 9.

For repair and service purposes, the sensors must always be sent to the manufacturer.

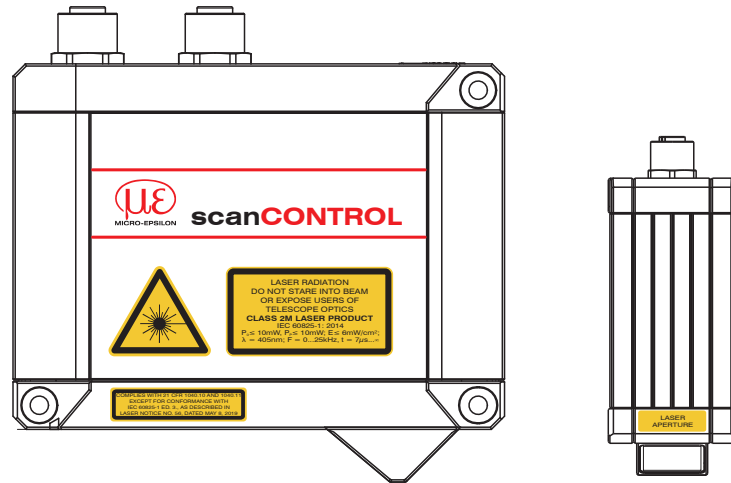


Fig. 1 Sensor with laser labels

2.2 Laser Class 2M

The sensors fall within laser class 2M. The laser is operated on a pulsed mode, the maximum optical power is $\leq 10 \text{ mW}$ or $\leq 12 \text{ mW}$. The pulse frequency depends on the adjusted measuring rate (0 ... 25 kHz). The pulse duration can be $7 \mu\text{s}$ up to infinite.



Laser radiation.
Close your eyes or immediately turn away if the laser beam hits the eye. Irritation or injury of the eyes possible.

1 Observe the laser protection regulations.

Accordingly, the following applies: Laser equipment of the Class 2M can be employed without further protective measures, when deliberate viewing into the laser beam or into a beam reflected by mirrors is not longer than 0.25 s. Directly looking into the beam can be dangerous, if the eye-closure reflex is consciously suppressed, e.g., during adjusting. Directly looking into the beam with optical devices, such as magnifying glasses, is dangerous. Since generally the presence of the eye-closure reflex should not be assumed, one should close the eyes or immediately turn away if the laser radiation impinges on the eye. Laser equipment of the Class 2M can be employed without further protective measures, when deliberate viewing into the laser beam or into a beam reflected by mirrors is not longer than 0.25 s. Since generally the presence of the eye-closure reflex should not be assumed, one should close the eyes or immediately turn away if the laser radiation impinges on the eye.

Lasers of Class 2M are not subject to notification and a laser protection officer is not required.

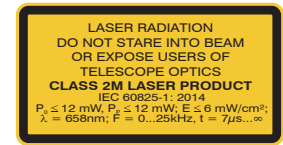
Attach the following warning labels to the cover (front and rear side) of the housing:



LLT30xx-25/BL, 30xx-50/BL



LLT30xx-25, 30xx-50



LLT30xx-200



Only for USA

Mark the laser area recognizable and everlasting.

2.3 Laser Class 3R

CAUTION

Laser radiation. Close your eyes or immediately turn away if the laser beam hits the eye. Irritation or injury of the eyes possible.

The sensors with the /3R option fall within laser class 3R. The laser is operated on a pulsed mode, the maximum optical power is ≤ 30 mW. The pulse frequency depends on the adjusted measuring rate (0 ... 25 kHz). The pulse duration can be $7 \mu\text{s}$ up to infinite.

1. Observe the laser protection regulations.

Accordingly, the following applies: The accessible laser radiation is harmful to the eyes. Looking directly into the laser beam is harmful to the eyes with laser class 3R devices. Reflections of shiny or mirroring surfaces are also harmful to the eyes.

Class 3R laser sensors require a laser protection officer.

Attach the following warning labels to the cover (front and rear side) of the sensor housing:



LLT30xx-25, LLT30xx-50, LLT30xx-200



Only for USA

In addition, the following information label must be attached to the laser output on the sensor housing:



3. Functional Principle, Technical Data

3.1 Short Description

3.1.1 Measuring Principle

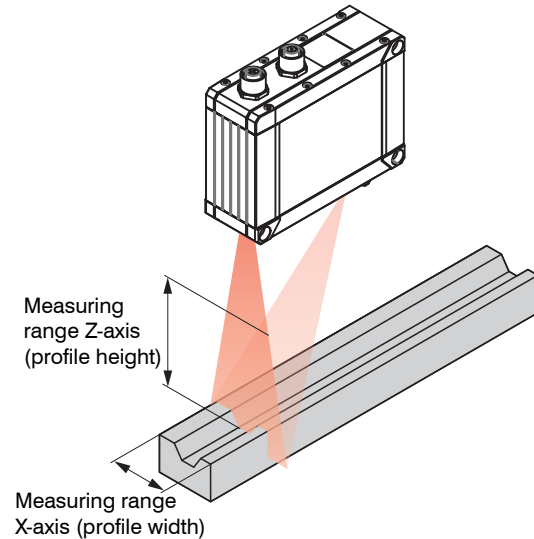
The scanCONTROL 30xx sensor operates according to the principle of optical triangulation (light intersection method):

- A laser line is projected onto the target surface via a linear optical system.
- The diffusely reflected light from the laser line is replicated on a sensor matrix by a high quality optical system and evaluated in two dimensions.

The laser line triangulation corresponds in principle to the triangulation of a laser point. In addition, during the measurement a row of lines are simultaneously illuminated by the laser line. Apart from the distance information (Z-axis), the exact position of each point on the laser line (X-axis) is also acquired and output by the system.

3.1.2 System Setup

The scanCONTROL 30xx sensor is a compact sensor with an integrated controller. All necessary integral parts are combined in one housing.



3.1.3 Special Performance Features

- scanCONTROL 30xx features speed and compact design with simultaneously high measurement accuracy. A special line-scanning optical system ensures uniform exposure of the measuring field.
- The sensor matrix is arranged in the sensor head according to the Scheimpflug condition which facilitates uniform image focusing over the whole depth of the measurement range (Z-axis).
- The scanCONTROL 30xx series with integrated profile analysis works even without a PC in conjunction with saved configurations. The sensor runs the profile measurement internally and calculates default measured values such as angle or edge position.
Besides measurement value output via Ethernet (Modbus TCP protocol, UDP protocol) and RS422 (Modbus RTU protocol or ASCII format), additional switching signals (results of the determination of limit values) and analog measurement values can be output. This is done by an optional scanCONTROL Output Unit, which transforms the determined measurement signals in switching and analog signals for further processing in a PLC.
- scanCONTROL Gateway allows for scanCONTROL SMART sensors to be integrated into various fieldbus systems (PROFINET, EtherNet/IP, EtherCAT).

3.1.4 Advantages of the Used Sensor Matrix (Difference to Conventional Line Scanners)

- A global shutter (high speed shutter) for the whole profile enables a high profile accuracy for fast applications without “tilting”.
- The matrix enables the simultaneous exposure and reading of the previous image. Thus the exposure time is longer at the same profile frequency. With it also dark objects can be measured with a high rate.
- The High Dynamic Range mode (HDR) provides optimal measuring data on difficult target surfaces.

3.1.5 Further Features

- External synchronization and triggering
- Serial interface (RS422) for communication with PLC or PC
- Digital switching inputs, selectable TTL or HTL (selectable Pull-up or Pull down behaviour)
- The automatic control of the exposure time enables consistent measurement results with changing surfaces. This function can be switched off on request.
- Ethernet 100/1000 Mbit as fast standard connection to PC

3.2 Technical Data

| Model | | LLT30xx-25 | LLT30xx-25/BL | LLT30xx-50 | LLT30xx-50/BL | LLT30xx-200 |
|-------------------------------------|----------------------------------|---|----------------------|------------------|------------------|------------------|
| Z-axis | Measuring range | SMR | 77.5 mm | 105 mm | 200 mm | |
| | | MMR | 85 mm | 125 mm | 310 mm | |
| | | EMR | 92.5 mm | 145 mm | 420 mm | |
| | | HMR | 15 mm | 40 mm | 220 mm | |
| | Extended measuring range | SMR | - | - | 160 mm | |
| | | EMR | - | - | 460 mm | |
| | Linearity ¹ | (2 σ) | ± 0.08 % FSO | ± 0.06 % FSO | ± 0.08 % FSO | ± 0.06 % FSO |
| Reference resolution ^{2,3} | | 1.5 μm | 3 μm | 26 μm | | |
| X-axis | Measuring range | SMR | 22.9 mm | 43,3 mm | 130 mm | |
| | | MMR | 25 mm | 50 mm | 200 mm | |
| | | EMR | 26.8 mm | 55,9 mm | 270 mm | |
| | Extended measuring range | SMR | - | - | 100 mm | |
| | | EMR | - | - | 290 mm | |
| | Resolution x-axis | | 2,048 points/profile | | | |
| Profile frequency | Standard | up to 300 Hz | | | | |
| | HIGHSPEED | up to 10,000 Hz | | | | |
| Interfaces | Ethernet GigE Vision | Output of measurement values; Sensor control; Profile data transmission | | | | |
| | Digital inputs | Mode switching; Encoder (counter); Trigger | | | | |
| | RS422 (half duplex) ⁴ | Output of measurement values; Sensor control; Trigger; Synchronization | | | | |
| Output of measurement values | | Ethernet (UDP datagrams / Modbus TCP); RS422 (ASCII / Modbus RTU) Analogue ⁵ ; Switch signal ⁵ PROFINET ⁶ ; EtherCAT ⁶ ; EtherNet/IP ⁶ | | | | |

| Model | LLT30xx-25 | LLT30xx-25/BL | LLT30xx-50 | LLT30xx-50/BL | LLT30xx-200 |
|--|---|---------------------------------|--------------|---------------|--------------|
| Display (LED) | 1 x Laser ON/OFF, 1 x Data, 1 x Error | | | | |
| Light source (Semiconductor laser) | 658 nm (red) | 405 nm (blue) | 658 nm (red) | 405 nm (blue) | 658 nm (red) |
| Aperture angle of laser line | 23° | | 28° | | 45° |
| Laser power | Standard (laser class 2M) | ≤ 10 mW | | | ≤ 12 mW |
| | Option (laser class 3R) | ≤ 30 mW | - | ≤ 30 mW | ≤ 30 mW |
| Laser switch-off | via software, hardware switch-off with /SI option | | | | |
| Permissible ambient light (fluorescent light) ² | 10,000 lx | | | | |
| Protection class (sensor) | IP67 (when connected) | | | | |
| EMC requirements | according to DIN EN 61000-6-2: 2005, DIN EN61000-6-3: 2007, DIN EN61326-1:2013 und DIN EN50581:2012 | | | | |
| Vibration | 2g / 20 ... 500 Hz | | | | |
| Shock | 15g / 6 ms | | | | |
| Temperature range | Operation | 0 ... +45 °C (+32 ... +113 °F) | | | |
| | Storage | -20 ... +70 °C (-4 ... +158 °F) | | | |
| Dimensions | 96 x 112 x 40 mm | | | | |
| Sensor weight (without cable) | 415 g | | | | |
| Supply | 11 ... 30 VDC, nominal value 24 V, 500 mA, IEEE 802.3af class 2, Power over Ethernet | | | | |

FSO = Full Scale Output | SMR = Start of measuring range | MMR = Mid of measuring range |

EMR = End of measuring range | HMR = Height of measuring range

1) Measuring range (standard)

2) Measurement object: Micro-Epsilon standard object

3) According to a one-time averaging across the measuring field (2,048 points)

4) RS422 interface, programmable either as serial interface or as input for triggering/synchronization

5) Only with Output Unit

6) Only with scanCONTROL Gateway

3.4 LED Displays

| LED Laser | Meaning |
|-----------|-------------|
| Yellow | Laser is on |

| LED Data | Meaning |
|-----------------------|-----------------------------|
| Green | Measurement is active |
| Green, flashes slowly | Data transmission is active |
| Green, flashes short | Controller accesses |

| LED Error | Meaning |
|--------------|---------------------------|
| Red, flashes | Error code, see Chap. 12. |



4. Delivery

4.1 Unpacking, Included in Delivery

- 1 scanCONTROL 30xx sensor
- 1 Assembly instructions
- 1 Calibration final inspection
- 2 Protective caps
- 2 Centering elements
- 1 PCR3000-5 multifunction cable, length 5 m; for power supply, trigger and RS422;
screw connector and free cable ends

- ➡ Carefully remove the components of the measuring system from the packaging and ensure that the goods are forwarded in such a way that no damage can occur.
- ➡ Check the delivery for completeness and shipping damage immediately after unpacking.
- ➡ If there is damage or parts are missing, immediately contact the manufacturer or supplier.

4.2 Storage

Temperature range storage: -20 ... +70 °C (-4 ... +158 °F)

Humidity: 5 - 95 % (non condensing)

5. Installation and Mounting

5.1 Attachment and Mounting

- using 2 or 3 screws M5, screwed directly
- using 2 or 3 screws M4, screwed pushed through

Depending on the installation position, it is recommended to define the sensor position using centering elements and fitting bores.

The cylindrical counterbore $\varnothing 8H7$ is intended for the position-defining centering elements. This allows for the sensor to be mounted in a reproducible and exchangeable way.

➡ The mounting dimensions refer to the dimensional drawings.

Pay attention to careful handling during mounting and operation.

> Damage to or destruction of the sensor

The laser beam must strike the target surface at right angles. Otherwise, inaccurate measurements cannot be excluded.

➡ Mount the sensor by means of screws type M5 or by means of through bores for M4.

| Bolt connection | | | |
|-----------------|------------------|-------------------|--------|
| Through length | Screw | Washer | Torque |
| 40 mm | M4 x ISO 4762-A2 | A 4,3 ISO 7089-A2 | 1.9 Nm |

| Direct fastening | | |
|------------------|------------------|--------|
| Screw depth | Screw | Torque |
| min 14 mm | M5 x ISO 4762-A2 | 2.5 Nm |

Fig. 2 Mounting conditions

The bearing surfaces surrounding the fastening holes (through-holes) are slightly raised.

Mount the sensor only to the existing holes on a flat surface. Clamps of any kind are not permitted. Do not exceed torques.

- > Damage to or destruction of the sensor
- > Inaccurate, erroneous measuring values

NOTICE

NOTICE

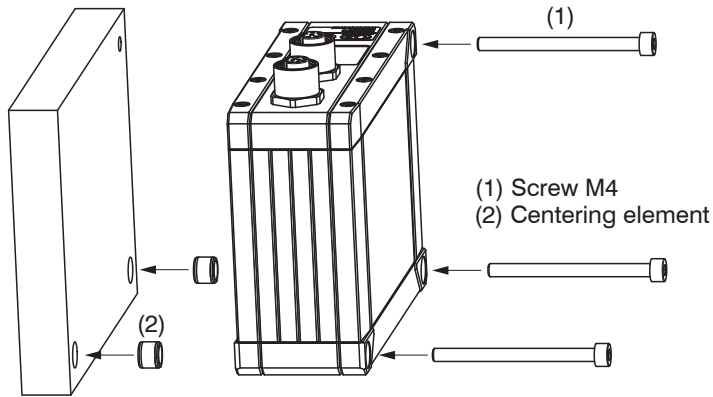


Fig. 3 Mounting example with bolt connection

Bolt connection:

- 3 threaded holes (M4)

with centering element:

- additionally 2 cylindrical counterbores 8H7 depth 1.8 - 2 mm

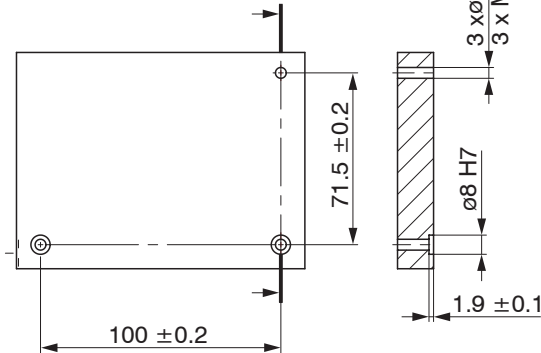


Fig. 5 Dimensional drawing mounting bores, dimensions in mm, not to scale

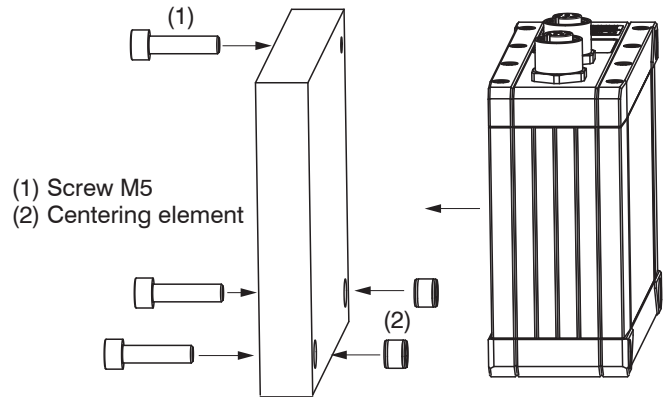


Fig. 4 Mounting example with direct fastening

Direct fastening:

- 3 bores ø 5.5

with centering element:

- additionally 2 cylindrical counterbores 8H7 depth 1.8 - 2 mm

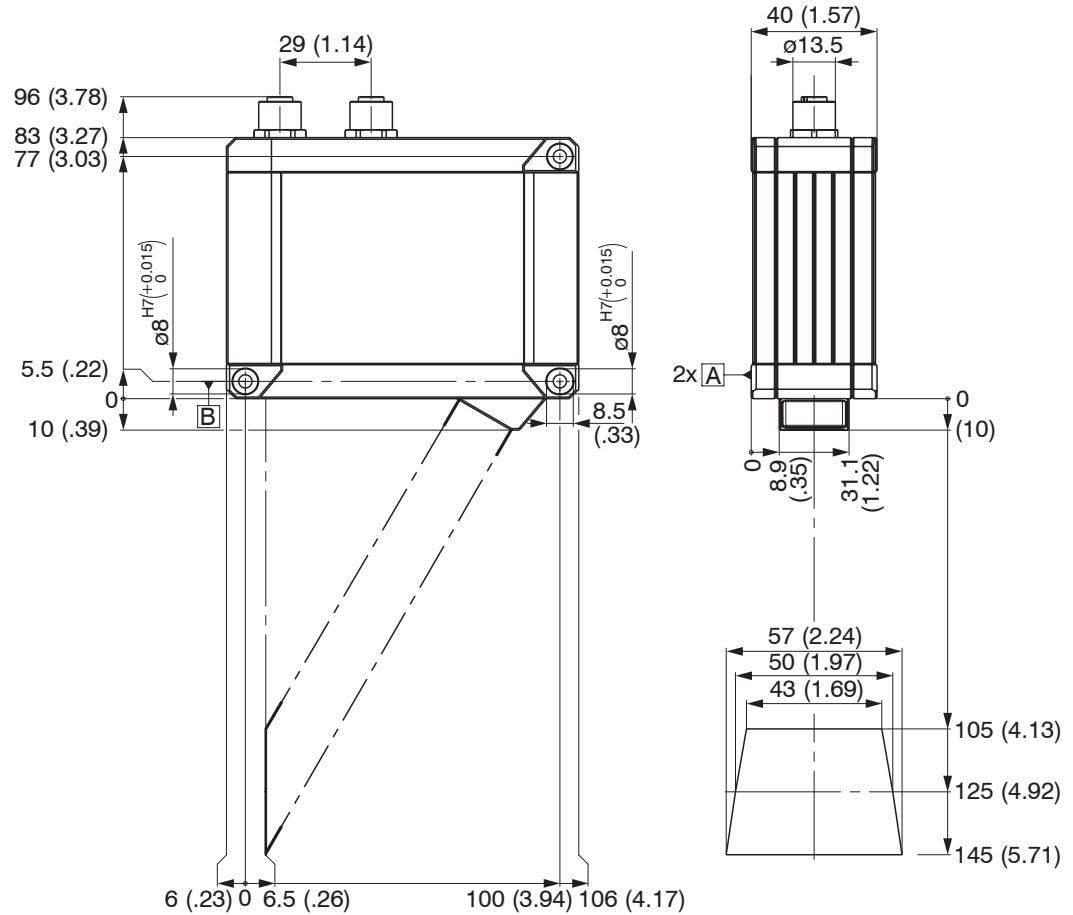


Fig. 7 Dimensional drawing
sensor scanCONTROL 30xx-50,
dimensions in mm (inches),
not to scale

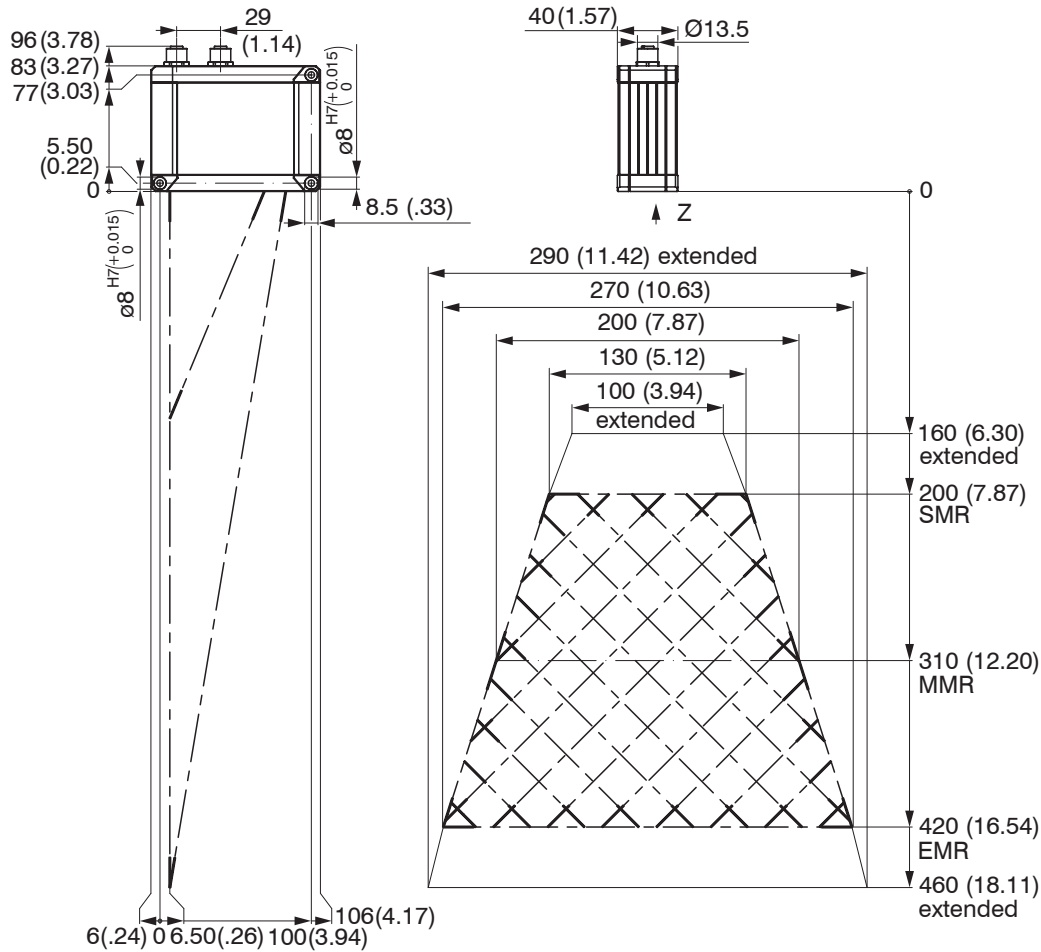


Fig. 32 Dimensional drawing sensor scanCONTROL 30xx-200, dimensions in mm (inches), not to scale

5.2 Connections

5.2.1 General



- 1 Multifunction socket (Power supply, IO)
- 2 Ethernet socket

Fig. 8 Output sockets arrangement

| Designation | Sensor connector Pin | Cable color PCR3000-x | Notes | Connection view |
|---------------|----------------------|-----------------------|--|--|
| +Ub | 9 | Red | + 11 V - 30 V DC (rated value 24 V); max. 5 W | <p>12-pin screw connector, view on solder side (cable)</p> |
| GND | 2 | Blue | 0 V | |
| +Laser on/off | 3 | White | Available with SI option | |
| -Laser on/off | 1 | Brown | | |
| RS422 | 12 | Red-blue | RS422 input or output | |
| /RS422 | 11 | Gray-pink | | |
| GND RS422 | 10 | Purple | Ground connection RS422 | |
| In1 | 4 | Green | Switching input In1 | |
| In2 | 6 | Yellow | Switching input In2 | |
| In3 | 8 | Gray | Switching input In3 | |
| In4 | 5 | Pink | Switching input In4 | |
| GND-In | 7 | Black | Ground connection In | |
| Screen | Housing | Black | Not electrically connected to GND | |

Fig. 9 Assignment of the multifunction socket on scanCONTROL 30xx

GND: Galvanically isolated from In1 ... 4, RS422, laser on/off
 laser on/off: input galvanically isolated from GND, In1 ... 4, RS422
 In1 ... 4, RS422: inputs galvanically isolated from GND and laser on/off

NOTICE

Connect the multifunction socket only when the power supply is switched off.

- > Damage to or destruction of the sensor

5.2.2 Power Supply

Connector multifunction socket, see [Fig. 8](#), pin assignment, see [Fig. 9](#).

Range: 11 V – 30 V (rated value 24 V DC; 500 mA)

The operating voltage is protected against reverse polarity.

The cable shield is connected with the connector housing and should be connected to the protective conductor PE of the power supply.

The shielded multifunction cable PCR3000-x is recommended.

The operating voltage for the scanCONTROL 30xx measuring device should come from a 24 V power supply, which is only used for measuring equipment and not simultaneously for drives, contactors or similar pulse interference sources. Use a power supply with galvanic isolation.

NOTICE

scanCONTROL 30xx supports Power over Ethernet. If the sensor is connected to a network adapter/switch that is capable of POE and if you also use the power supply of the multifunction port, these two power supplies have to be galvanically isolated.

5.2.3 RS422, Synchronization

Connector multifunction socket, see Fig. 8, pin assignment, see Chap. Fig. 9.

The scanCONTROL 30xx sensor has a RS422 port according to EIA standards, which can be parameterized as input or output via software.

The RS422 port can be used to synchronize multiple sensors with each other, triggering or measured value output (for example Modbus).

The internal terminating resistor (termination $R_T = 120 \text{ Ohm}$, see Fig. 10) can be activated or switched off via software. The signals must be operated symmetrically according to the RS422 standard. Primarily use RS422 driver circuits or converters. Alternatively use devices with RS422 connectors, e.g. sensors or PLC's.

The RS422 port is galvanically isolated from GND and Laser on/off, but not from GND-In. When used GND-RS422 should connected to the GND of the remote station in order to avoid potential differences.

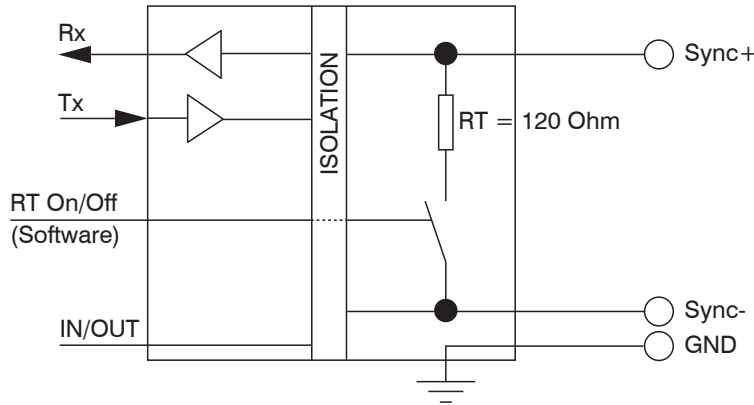


Fig. 10 RS422 synchronization internal circuitry

The multifunction socket can be used with either of the following configurations:

| | Configuration | Direction | Standard setting for terminating resistor R_T |
|---|--|------------------|---|
| 0 | Half-duplex, serial communication with 115200 Baud | input/output | On |
| 1 | Half-duplex, serial communication with 57600 Baud | input/output | |
| 2 | Half-duplex, serial communication with 38400 Baud | input/output | |
| 3 | Half-duplex, serial communication with 19200 Baud | input/output | |
| 4 | Half-duplex, serial communication with 9600 Baud | input/output | |
| 5 | External trigger input | input | On |
| 6 | External trigger output | output | Off |
| 7 | CMM trigger output | output | Off |

Synchronizing several sensors with each other:

- ➡ Connect the output RS422+ (Pin 12) of sensor 1 with the input RS422+ (Pin 12) of sensor 2.
- ➡ Connect the output RS422- (Pin 11) of sensor 1 with the input RS422- (Pin 11) of sensor 2.
- ➡ Also connect both the GND-RS422 (Pin 10) of the sensors to each other.

Software settings:

| Setting | Sensor 1 | Sensor 2 ¹ | Other sensors |
|-------------------|-------------------------|------------------------------|------------------------|
| RS422 mode | External trigger output | External trigger input | External trigger input |
| RS422 termination | Off | On | Off |

Fig. 11 External synchronization settings

The sensor 1 then synchronizes the sensor 2 and further sensors as master.

1) The terminating resistor is activated (On) at the sensor that is physically furthest away from sensor 1 (Master).

5.2.4 Switching Inputs

Connector multifunction socket, see Fig. 8, pin assignment, see Fig. 9.

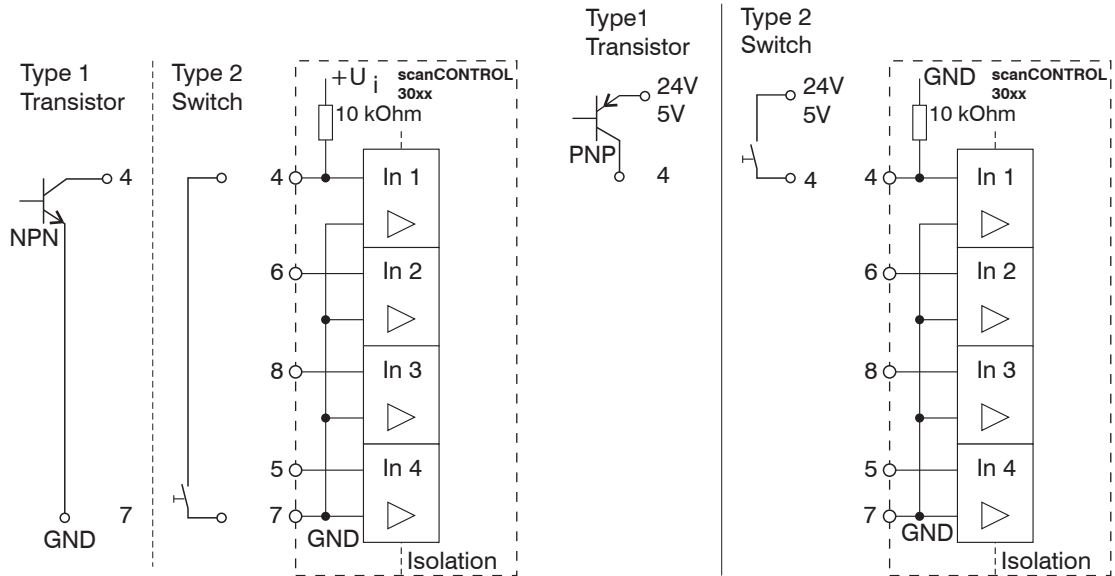


Fig. 12 Pull up

Fig. 13 Pull down

The switching inputs In1 up to In4 can be used for triggering or for connecting an encoder. All switching inputs are identical. The used circuits have an internal electrical isolation. The inputs are galvanically isolated from the GND and Laser on/off .

All switching inputs have one ground connection (GND-In), which has to be connected with the external ground (synchronization/trigger source or another device).

The multifunction socket can be used with either of the following configurations:

| | Configuration | In1 | In2 | In3 | In4 |
|----|--|-----------------|--------------------|-------|----------------|
| 0 | Encoder, positive edge of index track ¹ | | A | B | N |
| 1 | Encoder with external trigger input ¹ | Trigger | A | B | N |
| 2 | External trigger input | Trigger | ppc 1 ² | ppc 2 | ppc 3 |
| 3 | External trigger and load up to 8 user modes | Trigger | Bit 0 | Bit 1 | Bit 2 |
| 4 | Load up to 15 user modes | Bit 0 | Bit 1 | Bit 2 | Bit 3 |
| 5 | Insert into timestamp | ppc 0 | ppc 1 | ppc 2 | ppc 3 |
| 6 | Frametrigger and encoder | Start container | A | B | Fill container |
| 7 | Frametrigger and encoderline A | Start container | A | | Fill container |
| 8 | Encoder with gate | Gate | A | B | N |
| 9 | External trigger, load up to 4 user modes and 1 input for time-stamp | Trigger | Bit 0 | Bit 1 | ppc 3 |
| 10 | Load up to 8 user modes and 1 input for timestamp | Bit 0 | Bit 1 | Bit 2 | ppc 3 |
| 11 | Load up to 4 user modes and 2 inputs for timestamp | Bit 0 | Bit 1 | ppc 2 | ppc 3 |

Signal level (switching level):

The signal levels are switchable for all switching inputs together via software between LLL (TTL logic) and HLL (HTL):

- LLL level: Low 0 V... 0.8 V, High 2.4 V... 5 V, internal pull-up/down 10 kOhm to 5 V/GND
- HLL level: Low 0 V... 3 V, High 11 V... 24 V (permitted up to 30 V), internal pull-up/down 10 kOhm to 24 V/GND
- Pulse duration: $\geq 5 \mu\text{s}$

i Use a shielded cable with twisted wires, especially the recommended connection cable PCR3000-x from the accessories.

 Connect the cable shield with the potential equalization PE or the connector housing.

- 1) The encoder input counts each edge. Encoder output typically 4 edges per encoder step.
- 2) ppc = post processing control

5.2.5 Ethernet Connection

Connector “Ethernet“, see Fig. 8.

The Ethernet connection is the standard connection to the PC.

The sensor supports the transmission with 100 Mbit and 1 Gbit.

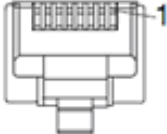
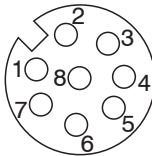
| RJ45 connector | | 8-pin. screw connector (sensor side) | | |
|---|---|--|-----------|-----------|
| Pin no. | Color of stranded hook-up wire SCR3000A-x | Pin no. | 100BaseTX | 1000BaseT |
| 1 | White (orange) | 5 | Tx+ | D1+ |
| 2 | Orange | 6 | Tx- | D1- |
| 3 | White (green) | 8 | Rx+ | D2+ |
| 4 | Blue | 1 | | D3+ |
| 5 | White (blue) | 2 | | D3- |
| 6 | Green | 7 | Rx- | D2- |
| 7 | White (brown) | 3 | | D4+ |
| 8 | Brown | 4 | | D4- |
|  <p>View on pin side of male cable connector</p> | |  <p>View on solder side (cable) of screw connector (A-coded)</p> | | |

Fig. 14 Pin assignment Ethernet connection

We recommend the Gigabit-Ethernet connection cable SCR3000A-x for the Ethernet connection; cable length x in meters. Characteristics: 4 x 2 x 0.14 mm²; shielded.

Due to a high data rate, we recommend using a high-quality Ethernet PC plug-in card, for example Intel-Pro/1000 PT. The sensors are to be preferably connected directly to the network connection or by means of a high-quality switch. As a hub would result in a massive data collision it cannot be used. The PC should have one or more network cards only for the sensors.

The operation of the sensor via Ethernet does not require any driver installation. However, the network settings have to be done correctly:

- If more network cards are used, they have to belong to different networks, for example different Class-C-sub networks, however they may not belong to the same Class-B sub network.
- The sensor supports an automatically, sensor-adapted IP address in the link-local-net (169.254.x.x). No collision testing is effected.
- The sensor supports the DHCP protocol. This setting is activated by default and has priority over the retrieval in the link-local-net.
- A fixed IP address can be given.
- Various network settings can interfere the connection to the sensor (for example Firewall or packet filter).
- We recommend using a packet size of 1024 bytes/packet (payload), because network components support such packages by default. The sensor supports jumbo frames up to 4096 bytes/packet (payload), but then all the network components must also support jumbo frames of this size. The uncompressed sensor array view can only be used with activated jumbo frames.

Use the program `sensorTOOL` for network configuration.

This program is available online at <https://www.micro-epsilon.com/download/software/sensorTOOL.exe>.

NOTICE

scanCONTROL 30xx supports Power over Ethernet. If the sensor is connected to a network adapter/switch that is capable of POE and if you also use the power supply of the multifunction port, these two power supplies have to be galvanically isolated.

5.2.6 External Laser Switching (optional)

Connector multifunction socket, see Fig. 8, pin assignment, see Fig. 9.

Function

- Laser on: Voltage between +laser on/off and -laser on/off 2.8 V... 31 V, $I < 5 \text{ mA}$
- Laser off: Voltage between +laser on/off and -laser on/off $< 0.8 \text{ V}$ or open

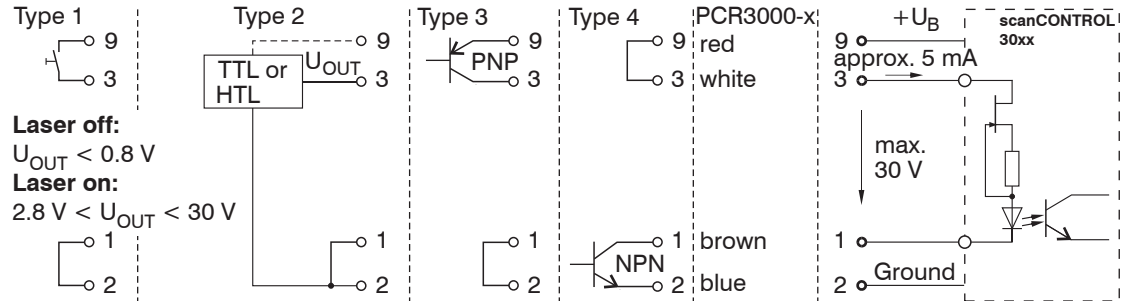


Fig. 15 Options to switch off the laser

➡ Use a serial key switch inside the control circuit to switch off the laser.

If the voltages between pin 3 and pin 1 are $< 0.8 \text{ V}$, the laser is off. No external resistor is necessary to the current limitation. Connect pin 1 with 2 and pin 3 with 9 for permanent `laser on`.

The external laser switching-off is implemented as a hardware solution and is a top priority. The laser can be switched off, in addition, also by software.

5.3 Installation Instructions

- Only use shielded cables from the accessories for all connection cables.
- Connect the cable shields to the potential equalization on the evaluation unit (switch cabinet, PC housing, connector housing) and avoid ground loops.
- Lay all connection cables in accordance with the generally applicable measuring technology regulations, i.e. for example not directly next to pulse-carrying lines, preferably in a separate cable duct.
- The minimum bending radii of the recommended cables for flexible laying must not be less 80 mm.
- MICRO-EPSILON recommends the use of the optionally available power supply PS2020, Din rail mounting, input 230 VAC, output 24 VDC/2.5 A, see Appendix.

NOTICE

The sensor must only be connected to the peripheral equipment when disconnected from the power supply, i.e. only when the operating voltage is switched off.

5.4 Getting Ready for Operation, Initial Operation

- ➡ Mount the sensor according to the installation instructions, see Chap. 5.1.
- ➡ Connect the sensor to the Ethernet cable.
- ➡ Connect the sensor to downstream display or monitoring units and to the power supply.
- ➡ Switch on the power supply.

6. Operation of the Sensor with a PC

6.1 Displays

➡ After getting ready for operation, switch on the external direct current power supply (24 VDC).

The `Error` LED indicates different error conditions by flashing, see Chap. 12. If several errors occur at the same time, it indicates two of them alternately. Therefore the LED can continue to flash for some time after the rectification of an error. If no flashing occurs for several seconds, no error has occurred.

•
1 The scanCONTROL 30xx sensor needs a running-in time of typically 20 minutes for high precision measurements.

6.2 Operating and Demonstration Programs

For sensor operation, several programs are available. You will find them online on the sensor product website or in the Download area: https://www.micro-epsilon.com/2D_3D/laser-scanner/Software/downloads/

- The scanCONTROL Developer Tool program supports scanner parameterization and user-friendly visualization of profile data.
- scanCONTROL Configuration Tools is used to analyze typical measurement tasks for scanCONTROL 30xx.
- scanCONTROL 3D-View visualizes three dimensional point data, which are recorded with scanCONTROL 30xx.

The measuring fields are partially used in the demonstration programs, see Chap. 6.4.1.

NOTICE

Connect the sensor directly to the PC. Please do not use any hubs or switches.

NOTICE

If your network card supports “VLAN” option, please deactivate it.

NOTICE

To operate the sensor, the PC and the sensor must be in the same subnet.

6.3 Installation

6.3.1 Requirements

The following minimum system specification is necessary for the operation of the scanCONTROL software packages:

scanCONTROL Configuration Tools

- Windows 7, Windows 8 oder 8.1, Windows 10 (each 32 bit and 64 bit)
- 1-GHz or faster (32 bit und 64 bit) processor / 1 GB RAM
- Screen resolution: 1024 x 768

scanCONTROL 3D-View




- Windows 8 or 8.1, Windows 10 (each 64 bit)
- 1-GHz or faster (64 bit) processor / 1 GB RAM
- Screen resolution: 1024 x 768
- Graphics card / GPU with OpenGL 3.1 or higher

To be able to use the software the following steps must be followed:

1. Install the Ethernet interface hardware, if not already installed.
2. Install the software.
3. Connect the scanCONTROL 30xx measuring system to the PC via Ethernet.

6.3.2 Connecting scanCONTROL 30xx to the PC

Proceed as follows in order to connect scanCONTROL 30xx via Ethernet with the PC.

-  Finish the installation of the software completely.
-  Connect scanCONTROL 30xx via the Ethernet interface to the PC and switch on the power supply.
-  Please wait until the scanCONTROL 30xx measuring system is recognized by the PC. This may take a few seconds.

The system is now ready to operate the scanCONTROL 30xx measurement system with scanCONTROL Configuration Tools.

6.4 Instructions for Operation

6.4.1 Measuring Field Selection

The optical design of the sensor satisfies the so-called “Scheimpflug condition” which ensures optimum mapping over the complete measuring range. In doing so, the measuring range is mapped on a rectangular sensor matrix.

Please refer to the calibration final inspection of your sensor. A slight range shifting of a measuring field is possible and depends on the sensor.

The sensor matrix used in the scanCONTROL 30xx supports the reading of a restricted measuring field.

scanCONTROL 3050 and 3060 devices can acquire up to 10,000 profiles per second. The actual measuring speed depends on two basic factors:

- Number of rows evaluated on the sensor matrix. Following computation is valid:

$$\text{Profile rate} = \frac{1 \text{ MHz}}{\text{Round up } (33.25 + (\text{rows} + 3) * 2.6875)}$$

| Number of rows | 1088 rows | 816 rows | 544 rows | 272 rows | 136 rows | 68 rows | 34 rows |
|--|-----------|----------|----------|----------|----------|---------|---------|
| Max. frequency | 337 Hz | 447 Hz | 664 Hz | 1293 Hz | 2457 Hz | 4444 Hz | 7518 Hz |
| Region of interest in High Resolution or High Dynamic Range mode (HDR) | | | | | | | |
| Region of Interest in High Speed mode | | | | | | | |

Fig. 16 Exemplary profile frequencies

The number of rows evaluated on the sensor matrix is the set union of the covered rows of region of interest 1 and region of interest 2.

If the sensor is used in high-speed mode, only every second row is used for evaluation and thus the number of covered rows by the ROIs (region of interest) is divided by two.

- Number of points per profile for processing. Following profile frequency limits are valid:

2048 points per profile: Max. profile frequency = 3600 Hz

1024 points per profile: Max. profile frequency = 7200 Hz

512 points per profile: Max. profile frequency = 10000 Hz

256 points per profile: Max. profile frequency = 10000 Hz

The measuring field can be restricted by omitting complete matrix areas in order to suppress interfering image ranges.

Measuring field and measuring range must be clearly differentiated in practical use. The measuring field is related to the sensor matrix and the measuring range is related to the measuring object (the object space).

Both do not have to match on account of the optical mapping and the definitions.

The scanCONTROL 30xx sensors have the following characteristics

- The receiver has a smaller opening angle (view angle) than the laser line.
- Centered measuring field (symmetrical to the center axis).
- The high resolution sensor image matrix has 2048 x 1088 pixels. The measuring field geometry is fixed.
- Reference for the distance (Z-axis) is the lowest body edge of the sensor, see Chap. 5.1.
- Use of the GigE-Vision standard. Standard GigE Vision implementation from different manufacturers can be used.

6.4.2 Calibration

The calibration of the sensor is performed using the complete sensor matrix and is independent from the selected measuring field.

The trapeze form of the measuring field is produced from the projection onto the sensor matrix. The standard measuring range is framed in the center.

A calibration final inspection is enclosed for each sensor. Three diagrams for the linearity measurement which are briefly explained in the report are included in the calibration final inspection. The key diagram in the calibration final inspection is shown again below, see [Fig. 17](#).

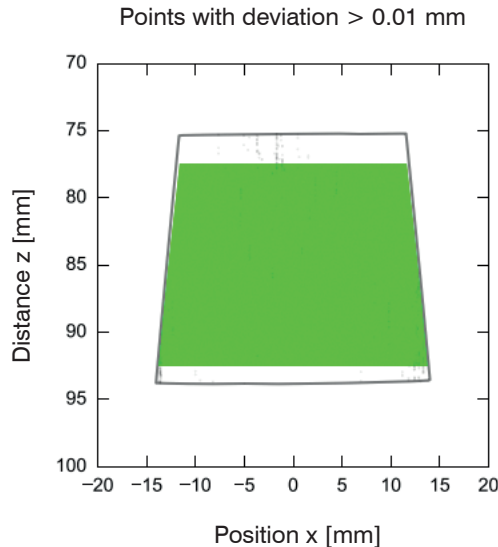


Fig. 17 Linearity deviation, example of an scanCONTROL 30xx-25

The black points show the places where the measurement error exceeds the linearity limit of 0.01 mm (depending on sensor model). The measurement error increases at both ends of the depth range and particularly in the remote corners. These areas should therefore be avoided for the measurement.

6.4.3 Operating Modes

The scanCONTROL 30xx series provides three different operating modes:

1. High Resolution The High Resolution Mode provides the best measurement data with respect to linearity and resolution.
2. High Speed The High Speed Mode provides high profile frequencies for profile acquisition.
3. High Dynamic Range (HDR) The High Dynamic Range Mode provides the best measurement data for targets with heterogenous surface properties.

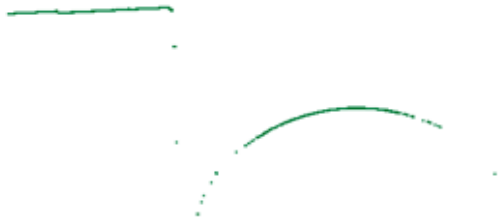


Fig. 18 Heterogenous target without HDR

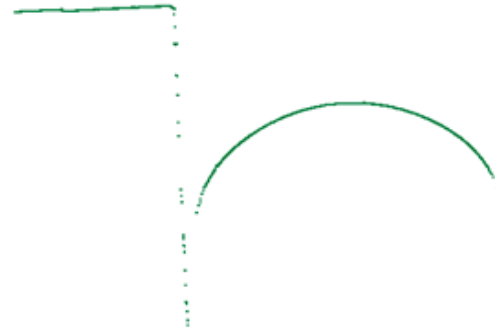


Fig. 19 Heterogenous target with HDR

6.4.4 Automatic Exposure Time Regulation

The automatic exposure time (shutter time) regulation feature facilitates the profile recording of changing target surfaces. Therefore, a region of interest can be set on the sensor matrix so that the automatic exposure time regulation only uses certain target areas for the determination of the optimal exposure time:

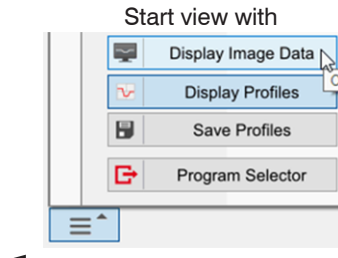
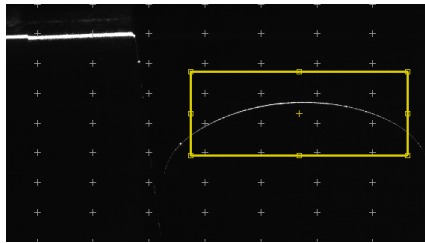


Fig. 20 Screenshot sensor matrix view: set region of interest (yellow) for automatic exposure regulation

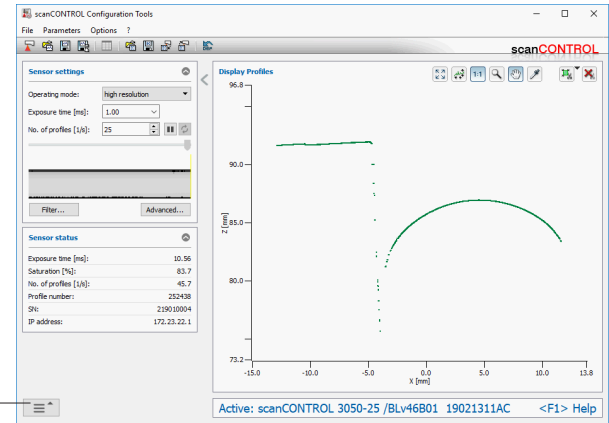


Fig. 21 Screenshot scanCONTROL Configuration Tools

The exposure time preset by the user is used as starting value for the automatic exposure regulation and it will be used as exposure time if no object is in the range. The preset exposure time has to be selected in such a way that at least some of the profile points can be acquired. These can be used as base for the regulation algorithm.

The used exposure time is limited by the profile frequency, e.g. at 100 Hz it may not exceed 10 ms, and by the set exposure time limits.

See software or SDK documentation for more information.

6.5 Error Influences

6.5.1 Reflection of the Target Surface

The sensor basically evaluates the diffuse portion of the laser line reflections. Any statement about a minimum reflection factor is only possible with reservations.

A preliminary examination is necessary for using the sensor on transparent or reflecting objects.

The method of direct reflection on reflecting surfaces as it is successfully applied for the point triangulation cannot be used for the line triangulation on account of the fan-shaped form of the laser line (central projection). Here, the receiving lens would only be able to reach a narrow area near the center. As usually curved surfaces should also be measured for the profile measurement, this range will be further narrowed.

6.5.2 Color Differences

Color differences of measurement objects have effects. However, these color differences are often also combined with different penetration depths of the laser light into the material. Different penetration depths in turn result in apparent changes of the line thickness. Therefore, color changes, combined with penetration depth changes, can result in inaccurate measurements.

As the exposure parameters can only be changed as a whole for one profile, careful matching of the exposure to the target surface is recommended.

6.5.3 Temperature Influences

A running-in time of at least 20 minutes during start-up is required in order to achieve a uniform temperature spread in the sensor.

If measurements with accuracy in the μm range are made, the effect of temperature fluctuations on the mounting must also be observed by the user.

Due to the damping effect of the thermal capacity of the sensor, fast temperature changes are only measured after a delay.

6.5.4 External Light

An interference filter in the sensor is present for suppression of external light.

In general, the shielding of external light directly emitted on the target or reflected in the sensor must be ensured using protective covers or similar.

Pay particular attention to unwanted reflections of the laser line outside the measuring object range (background, object holder or similar) which can be reflected back again into the view area of the receiver.

Matt black surface coatings are recommended for all objects outside the measuring range (object holders, transport apparatus, grippers or similar).

6.5.5 Mechanical Vibrations

If high resolutions in the μm range should be achieved with the sensor, particular attention must be paid to stable or vibration-damped sensor and measuring object mounting.

6.5.6 Surface Roughness

Surface roughness of $5\ \mu\text{m}$ and more results in “surface noises“ due to interference of the laser light.

Direct reflections of the laser light to the receiver can also occur at the finest grooves (e.g. abrasion marks on the surface) particularly if these run in the line direction. This can result in inaccurate measured values. Prevention of this effect might be possible by adjusting several sensor settings e.g. exposure time, filter.

6.5.7 Shadowing Effects

- Receiver: The laser line can disappear completely or partially behind steep edges. The receiver then does not „see“ these areas.
- Laser line: The fan-shaped form of the laser line inevitably results in partial shadowing at vertical edges. In order to make these areas visible, only changing the sensor or object position helps.

As a general rule, measuring objects with steep edges cannot be one hundred percent measured using laser triangulation. The missing areas can only be supplemented or interpolated using suitable software.

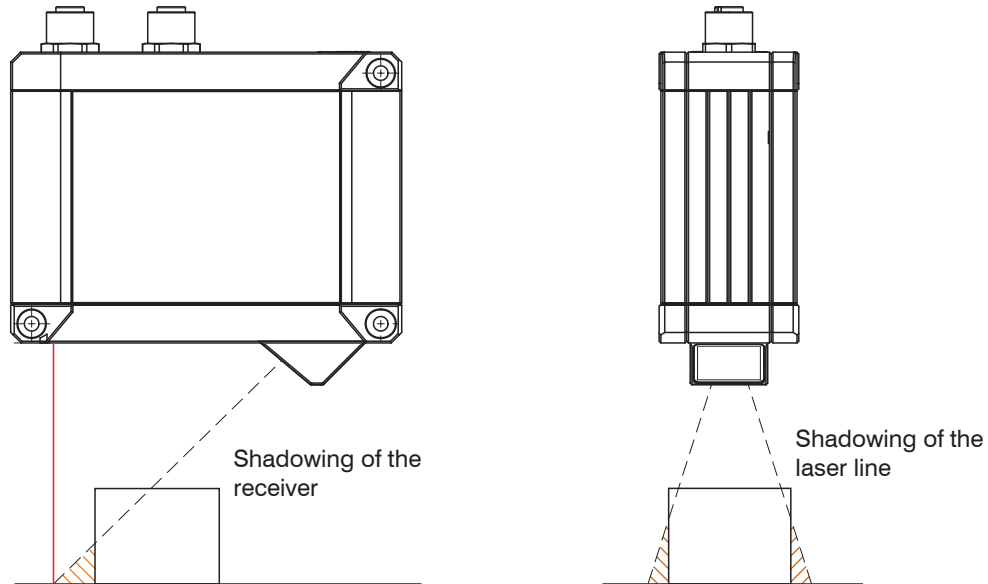


Fig. 22 Shadowings

6.6 Cleaning

A periodically cleaning of the protective housings is recommended.

Dry cleaning

This requires a suitable optical antistatic brush or blow off the panels with dehumidified, clean and oil free compressed air.

Use a dry, clean, soft, lint-free, antistatic lens cloth to clean the protective glass.

Wet cleaning

Use a clean, soft, lint-free cloth or lens cleaning paper and pure alcohol (isopropanol) for cleaning the protective housing.

Do not use commercial glass cleaner or other cleaning agents.

7. scanCONTROL Output Unit

The measurement system scanCONTROL 30xx measures and evaluates 2D profile data of a surface and supplies analog and digital control signals. scanCONTROL Output Unit

- outputs digital and analog signals,
- is based on the WAGO®-I/O-System 750,
- uses Ethernet.

Setup and operation of scanCONTROL Output Unit are exemplarily described below.

7.1 scanCONTROL Output Unit - Components

- Output Unit Basic, consisting of:
 - Ethernet Fieldbus Coupler with system supply unit (OU-Fieldbus Coupler/Ethernet)
 - 24V DC power supply filter (OU-Filter module) and termination module (OU-Bus termination module)
- Digital output terminal
- Analog output terminal

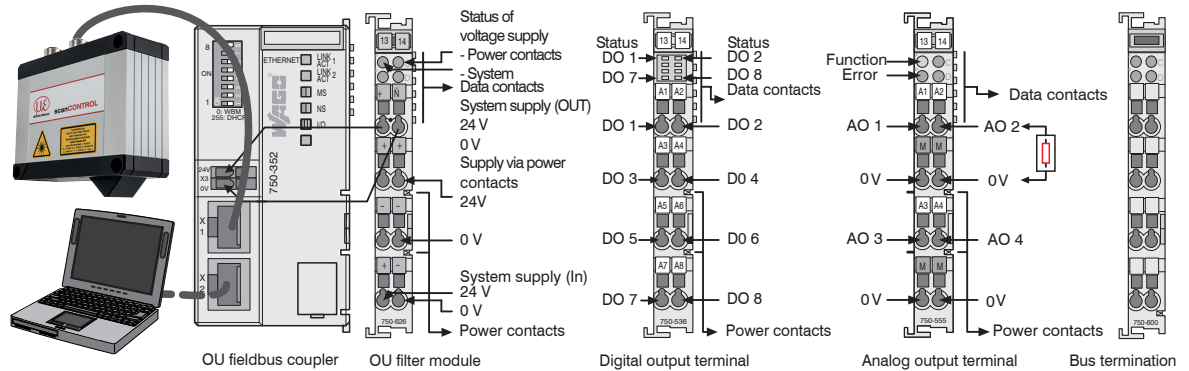


Fig. 23 Example configuration Ethernet with analog and digital output module

➔ Mount the components of a scanCONTROL Output Unit on a top hat rail (TS35) in the described order.
Without using a top hat rail a robust installation cannot be guaranteed. Ensure that each module is locked securely on the top hat rail.

➔ Terminate the bus with the bus termination, see [Fig. 23](#).

For a description of the individual components of the scanCONTROL Output Unit, please refer to [Chap. 7.4](#), the respective datasheets and the manuals for scanCONTROL Configurations Tools.

7.2 Connect the Power Supply

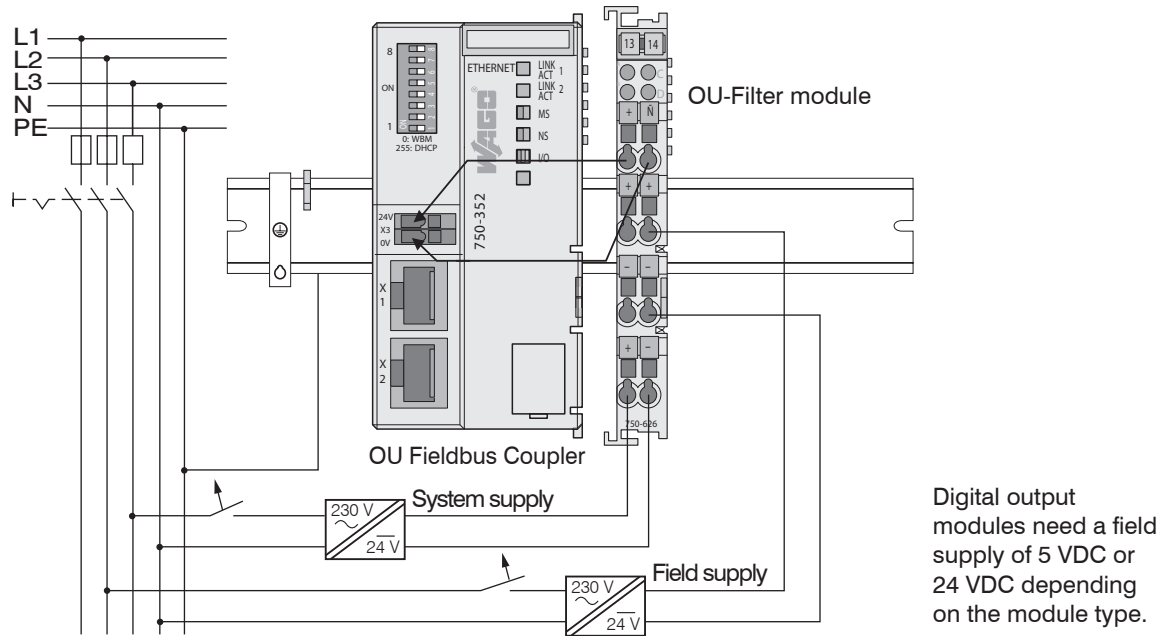


Fig. 24 Separated power units for system and field supply (Ethernet)

After mounting of the modules, the required wiring has to be installed.

- ➡ Connect the “System supply (out)” terminals of the OU-Filter module to the “System supply (in)” terminals of the OU-Fieldbus Coupler (0 V and 24 V, see [Fig. 24](#)).
- ➡ Connect the system supply (in) of the OU-Filter module to the power supply (0 V and 24 V, see [Fig. 24](#)).
- ➡ Connect the field supply (in) of the OU-Filter module to the power supply (0 V and 5 V/24 V, see [Fig. 24](#)).

•
i The system supply and field supply should be separated to ensure the bus operation and electrical isolation in case of a short-circuit of an actor.

7.3 Commissioning scanCONTROL Output Unit

After having installed the required wiring of the modules of scanCONTROL Output Unit, you have to parameterize the measurement system according to your measurement task to get the desired signals at the digital and analog output ports.

- ➡ Connect the sensor to the PC using the Ethernet cable.

Alternatively scanCONTROL Output Unit can be connected simultaneously to the PC and to the sensor.

- ➡ Parameterize the measurement system using scanCONTROL Configuration Tools and assign the desired signals to be output.

When the parameterization is finished, save the settings to a user mode of the sensor.

scanCONTROL Configuration Tools > Menu `Parameters` > `Save parameters to scanCONTROL...`

Refer to scanCONTROL Configuration Tools.

- ➡ Exit scanCONTROL Configuration Tools and disconnect scanCONTROL 30xx, PC and if necessary scanCONTROL Output Unit.
- ➡ Connect the scanCONTROL Output Unit by using the Ethernet cable.

scanCONTROL 30xx and the Output Unit operate now as an independent measurement system and the set signals are output via the assigned ports.

7.4 Specification of the Components

7.4.1 Output Unit Basic

Micro-Epsilon order no. 6414073

Consists of

- OU-Fieldbus Coupler/Ethernet
- OU-Filter module
- OU-Bus termination module



- Interfaces: 2x Ethernet to connect scanCONTROL 30xx sensors.
- Indicators (Status LED's, for detailed description refer to the manual of the OU-Fieldbus Coupler/Ethernet)
- The system supply is already mounted to the Fieldbus Coupler.

Fig. 25 OU-Fieldbus Coupler/Ethernet with system supply module

| System data | |
|---------------------------------|-----------------------------------|
| Max. number of bus sharing unit | Limited by Ethernet specification |
| Max. length of fieldbus segment | 100 m |
| Baud rate | 10/100 Mbit/s |
| Technical Data | |
| Number of bus terminals | 64 |
| With bus extension | 250 |
| Power supply | DC 24 V (-25 % ... +30 %) |
| Max. input current | 280 mA at 24 V |
| Internal current consumption | 450 mA at 5 V |
| Total current for I/O modules | 700 mA at 5 V |
| Voltage drop at I_{\max} | < 1 V at 64 I/O modules |

Fig. 26 Technical data Fieldbus Coupler/Ethernet

7.4.2 Supported Modules

- 8-Channel digital output module; DC 24 V; 0.5 A; high-side switching; 8 actors; short-circuit proofed; Micro-Epsilon order no. 0325115, see Chap. 7.4.3; power supply through power jumper contacts
- 8-Channel digital output module; DC 24 V; 0.5 A; low-side switching; 8 actors; short circuit proofed; Micro-Epsilon order no. 0325131; power supply through power jumper contacts
- 4-Channel analog output module; 0 - 10 V; Micro-Epsilon order no. 0325135, see Chap. 7.4.4
- 4-Channel analog output module; ± 10 V; Micro-Epsilon order no. 0325116
- 4-Channel analog output module; 0 – 20 mA; Micro-Epsilon order no. 0325132
- 4-Channel analog output module; 4 – 20 mA; Micro-Epsilon order no. 0325133

7.4.3 OU-DigitalOut/8-Channel/DC24 V/0.5 A/High-side Switching/8 Actuators



- Micro-Epsilon order no. 0325115
- The 8-Channel digital output module DC 24V 0.5 A is short-circuit-proofed, high-side switching, for TS35, CAGE CLAMP® connections, 8 actuators.
- The field level is galvanically isolated to the system level.
- The indicators (Status LED's) additionally show the status of the digital outputs (IO/NIO), for detailed description refer to manual of the 8-Channel digital output modules DC 24 V 0.5A, 8 actuators, high-side switching
- Actuators can be operated at all digital outputs and be wired directly via DO 1/2/3/4/5/6/7/8.
- scanCONTROL 30xx supports eight digital outputs.

Fig. 27 8-Channel DigitalOut-Module

| | |
|--|--|
| Number of outputs | 8 |
| Current consumption (internal) | 25 mA |
| Voltage via power jumper contacts | DC 24 V (-25 % / +30 %) |
| Type of load | resistive, inductive, lamps |
| Switching rate _{max.} | 2 kHz |
| Output current | 0.5 A short-circuit-proofed |
| Energy dissipation W _{max.} (unique switching off) | 0.9 J $L_{max.} = 2 W_{max.} / I^2$ |
| Current consumption typ. (field side) | 15 mA (per module) + load |

Fig. 28 Technical data of the digital output module

7.4.4 OU-AnalogOut/4-Channel/0-10 V



- Micro-Epsilon order no. 0325135
- 4-Channel analog output module DC 0-10 V
- Indicators (Status-LED's, for detailed description refer to manual of the 4-Channel analog output module DC 0-10 V)
- Voltage range is terminal-related 0 to +10 V and can not be extended by changing the appropriate setting in scanCONTROL Configuration Tools.
- The output signal is galvanically isolated output from the system level.
- The resolution is limited to 12 bits.
- scanCONTROL 30xx supports four analog outputs.

Fig. 29 4-Channel-AnalogOut-Modul

| | |
|----------------------------|--------------------------------------|
| Number of outputs | 4 |
| Power supply | via system voltage DC/DC |
| Signal voltage | 0 V ... 10 V |
| Load | > 5 k Ω |
| Resolution | 12 bit |
| Conversion time | typ. 10 ms |
| Setting time | typ. 100 μ s |
| Measurement error at 25 °C | < \pm 0.1 % of full scale (FS) |
| Temperature coefficient | < \pm 0.01 % /K of full scale (FS) |

Fig. 30 Technical data of analog output module

8. scanControl Gateway

scanCONTROL Gateway allows for scanCONTROL SMART sensors to be integrated into various fieldbus systems:

- PROFINET
- EtherNet/IP
- EtherCAT

All measurement results obtained from the profile evaluation carried out of a scanCONTROL SMART sensor can be transmitted to a PLC via one of these fieldbus systems. Furthermore, all scanCONTROL sensor settings can be set via the scanCONTROL Gateway (e. g. Laser on/off or switch User Mode).

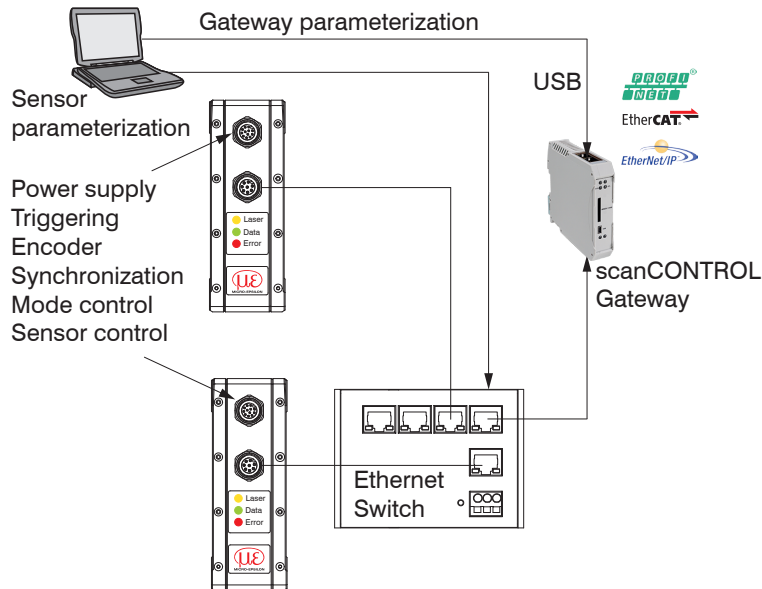


Fig. 31 Network layout for using scanCONTROL Gateway

The scanCONTROL Gateway can connect up to four scanCONTROL SMART sensors to the fieldbus. Measurement values are transmitted at up to 500 Hz. Please refer to the TechNote T026 (scanCONTROL fieldbus integration) for more details.

9. Liability for Material Defects

All components of the device have been checked and tested for functionality at the factory. However, if defects occur despite our careful quality control, MICRO-EPSILON or your dealer must be notified immediately.

The liability for material defects is 12 months from delivery. Within this period, defective parts, except for wearing parts, will be repaired or replaced free of charge, if the device is returned to MICRO-EPSILON with shipping costs prepaid. Any damage that is caused by improper handling, the use of force or by repairs or modifications by third parties is not covered by the liability for material defects. Repairs are carried out exclusively by MICRO-EPSILON.

Further claims can not be made. Claims arising from the purchase contract remain unaffected. In particular, MICRO-EPSILON shall not be liable for any consequential, special, indirect or incidental damage. In the interest of further development, MICRO-EPSILON reserves the right to make design changes without notification.

For translations into other languages, the German version shall prevail.

10. Service, Repair

If the sensor or sensor cable is defective:

- If possible, save the current sensor settings in a parameter set, see Configuration Tools, menu `Parameters > Save parameters to file...`, in order to load the settings back again into the sensor after the repair.
- Please send us the effected parts for repair or exchange.

If the cause of a fault cannot be clearly identified, please send the entire measuring system to:

MICRO-EPSILON Optronic GmbH
Lessingstraße 14
01465 Dresden - Langebrück /
Germany
Tel. +49 (0) 35201 / 729-0
Fax +49 (0) 35201 / 729-90
e-mail: info@micro-epsilon.com
www.micro-epsilon.com

11. Decommissioning, Disposal

- ➡ Remove all cables between the scanCONTROL 30xx sensor and the following control or evaluation units.

Incorrect disposal may cause harm to the environment.

- ➡ Dispose of the device, its components and accessories, as well as the packaging materials in compliance with the applicable country-specific waste treatment and disposal regulations of the region of use.

12. Error Codes

(— LED Error lights for a long time, • LED Error lights briefly)

| Flashing sequence | Cause | Remedy | Notes |
|--|---|--|--|
| Group: Loading / saving configuration | | | |
| •• 2x short | Mode not found. | Select different one. | Only previously stored modes can be called up. |
| ••- 2x short, 1x long | White error flash | Contact manufacturer, return sensor. | Should not occur in normal operation. |
| ••• 3x short | Flash full | None, contact manufacturer. | Should not occur in normal operation. |
| •••• 4x short | Loading suppressed due to active data transmission. | Stop active data transmission. | Prevents PC software crashes. |
| Group: Data processing and transmission | | | |
| - - 2x long | Data overflow in the sensor | Select smaller measuring field, reduce profile frequency, select less complex measuring program. | Data can be impaired; exposure time can be longer than expected. |
| -•• 2x long, 1x short | Data overflow during receipt of the data from the sensor. | Select smaller measuring field, reduce profile frequency, select less complex measuring program. | Data can be impaired. |
| -••• 2x long, 2x short | Data overflow for serial port RS422 | Reduce profile frequency, select less complex measuring program. | Data can be impaired. |

| Flashing sequence | Cause | Remedy | Notes |
|----------------------------------|---|--|---|
| --.. 2x long, 3x short | Data overflow during transmission of the data via Ethernet | Reduce profile frequency, increase packet size. | Data can be impaired. |
| --..... 2x long, 5x short | Error during calculation | Reduce profile frequency, select faster calculation mode. | Data can be impaired. |
| --..... 2x long, 6x short | Error during Ethernet transmission | Reduce profile frequency. | Data can be impaired. |
| Group: Output Unit | | | |
| --- 3x long | scanCONTROL Output Unit not found. | Connect the sensor with the scanCONTROL Output Unit. | --- |
| ---. 3x long, 1x short | Connected modules of scanCONTROL Output Unit are not supported. | Use the supported modules only, see Chap. 7.4.2. | --- |
| ---.. 3x long, 2x short | Communication error (scanCONTROL Output Unit) | Reduce profile frequency. | --- |
| ---... 3x long, 3x short | Output overflow (scanCONTROL Output Unit) | Reduce profile frequency. | --- |
| Group: Ethernet interface | | | |
| ---- 4x long | IP Address conflict | Check the Ethernet configuration of device and the host PC. Choose another IP address for the device. | If the problem persists, please contact the manufacturer. |

The Data LED flashes green; long during active data transmission and short for controller accesses. A controller access can cause various data overflows particularly if the measuring frequency is near its maximum.

Appendix

A 1 Accessories

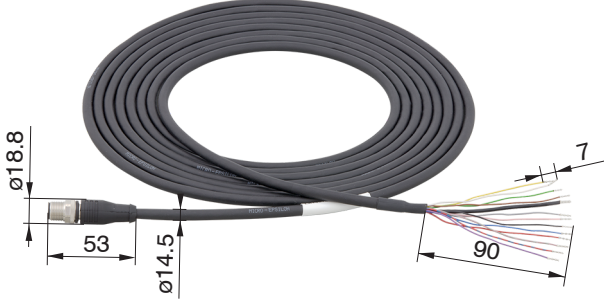

A 1.1 Recommended Accessories

PS2020



Power supply for DIN rail mounting, input 230 VAC, output 24 VDC/2.5 A for maximum 2 sensors scanCONTROL 30xx at the same time.

A 1.2 Optional Accessories

| | | |
|------------|--|--|
| PCR3000-x |  | <p>Multifunction cable, suitable for use with drag chains and robots, length $x = 2, 5, 10, 15, 20, 25, 35$ m,</p> <p>cable 6x2x0,14 shielded, 12-pole M12x1 screw connector and free cable ends</p> |
| SCR3000A-x |  | <p>Ethernet connection cable, suitable for use with drag chains and robots</p> <p>length $x = 0.5, 2, 5, 10, 15, 20, 25, 35$ m,</p> <p>cable 4x2x0,14; shielded, with integrally cast 8-pole M12x1 screw connector and 8-pole Ethernet cable connector RJ45</p> |



MICRO-EPSILON MESSTECHNIK GmbH & Co. KG
Koenigbacher Str. 15 · 94496 Ortenburg / Germany
Tel. +49 (0) 8542 / 168-0 · Fax +49 (0) 8542 / 168-90
info@micro-epsilon.com · www.micro-epsilon.com
Your local contact: www.micro-epsilon.com/contact/worldwide/

X9751399-A042090MSC

©MICRO-EPSILON MESSTECHNIK

