

VISOR® V20 Code Reader Advanced, C-Mount

Multi-Code Reader for 1D and 2D codes

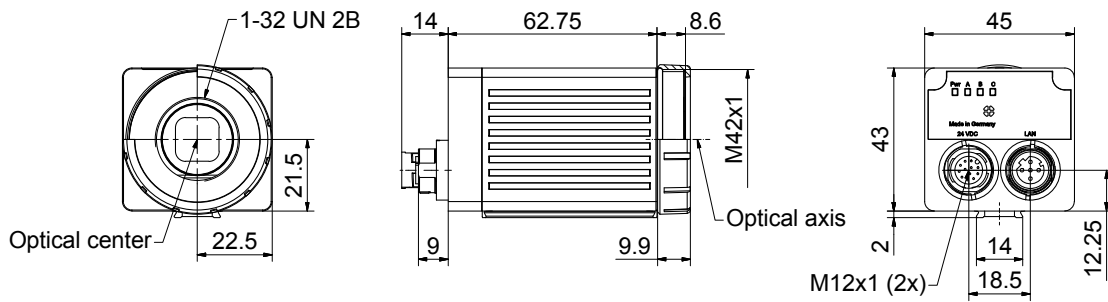


PRODUCT HIGHLIGHTS

- Can be used for all common 2D codes (ECC 200 data matrix) and common 1D bar codes
- Reliable detection of even poorly readable codes under difficult ambient conditions
- Comprehensive tools for flexible and easy connection to PC and PLC environments
- Reading of several similar or differing types of codes in one reading pass

Optical data		Functions	
Resolution	1440 x 1080 pixels	Number of jobs / detectors	max. 255 / max. 255
Imaging chip CMOS	1/2.9", monochrome	Detectors	Barcode: reading 1D bar codes, EAN, UPC, RSS, 2/5 Interleaved, 2/5 Industrial, code 32, code 39, code 93, code 128, GS1, pharm code, codabar; Datacode: reading 2D codes: ECC200, QR code, PDF 417, GS1; Result processing: Text: checking and calculating with results from detectors
Integrated lens, focal length [mm]	C-Mount		
Pixel size	3.45 µm x 3.45 µm		
Focus	Manual		
Adjustment range	Dependent on lens		
Integrated illumination	None		
Minimum field of view, X x Y	Dependent on lens		
Target laser	No		
Electrical data		Mechanical data	
Operating voltage, +U _B	18 ... 30V DC ¹	Dimensions	70.4 x 45 x 45 mm (without plug)
Current consumption (without I/O)	≤ 300 mA	Enclosure rating	IP 67 & IP 65 ²
Protective circuits	Reverse-polarity protection, U _B / short-circuit protection of all outputs	Material, housing	Aluminium, die-cast, RoHS compliant
Power On Delay	Approx. 13 s after Power on	Material, front screen	Plastic
Outputs	PNP/NPN (switchable)	Ambient temperature: operation	0 ... +50 °C ³
Max. output current (per output)	50 mA, 100 mA (pin 12)	Ambient temperature: storage	-20 ... +60 °C ³
Switching threshold inputs incl. encoder	PNP/NPN High > U _B -1V / Low < 3V	Weight	Approx. 200 g
Input resistance	> 20 kΩ	Plug connections	Supply and I/O M12, 12-pin Ethernet M12, 4-pin
Interfaces VISOR® V20-CR-Advanced	Ethernet (LAN), EtherNet/IP, PROFINET, SensoWeb, Service Port	Vibration resistance	EN 60068-2-6
Inputs/outputs	2 inputs, 2 outputs, 6 selectable inputs/outputs	Shock resistance	EN 60068-2-27
Encoder	✓		

¹ Max. ripple < 5V_{SS} ² only with protective casing ³ 80 % air humidity, noncondensing

VISOR® vision sensor C-Mount


153-13555

4

Lens	C-Mount protective casing for VISOR®

Part number	Article number
LPTVxx-G37.5	651-01006
LPTVxx-25.0	651-01007

	LOC-08-HD-30.5x0,5	LOC-12-HD-27x0,5	LOC-16-HD-27x0,5	LOC-25-HD-27x0,5	LOC-35-HD-27x0,5	LOC-50-HD-27x0,5	LOC-75-HD-34x0,5
Focal length	8 mm	12 mm	16 mm	25 mm	35 mm	50 mm	75 mm
Article number	526-51535	526-51536	526-51537	526-51538	526-51539	526-51540	526-51541

Part number	Article number	Accessories										
V20-CR-A3-C-2	632-91054	<table border="1"> <tr> <td>Connection cables</td> <td>From Page A-46</td> </tr> <tr> <td>Illumination</td> <td>From Page A-33</td> </tr> <tr> <td>Lenses</td> <td>From Page A-28</td> </tr> <tr> <td>Brackets</td> <td>From Page A-4</td> </tr> <tr> <td>Interface accessories</td> <td>From Page A-53</td> </tr> </table>	Connection cables	From Page A-46	Illumination	From Page A-33	Lenses	From Page A-28	Brackets	From Page A-4	Interface accessories	From Page A-53
Connection cables	From Page A-46											
Illumination	From Page A-33											
Lenses	From Page A-28											
Brackets	From Page A-4											
Interface accessories	From Page A-53											